

**Version**

**1**

**User's Manual**

---

***PFM***  
*PDS File Manager*



# PFM User's Manual

---

## Trademark Acknowledgements

**Ford** is a registered trademark of Ford Motor Company.

## Copyright Information

**PFM** User's Manual

©2004 Ford Motor Company All rights reserved.

The information, specifications and illustrations in this manual are based on the latest information available at the time of printing. **Ford Motor Company** reserves the right to make changes at any time without notice.

# Table of Contents

<b>INTRODUCTION</b>	<b>4</b>
<b>INTRODUCTION TO PFM</b>	<b>4</b>
<b>SYSTEM REQUIREMENTS</b>	<b>5</b>
<b>PFM INSTALLATION OPTIONS</b>	<b>5</b>
<b>PFM SOFTWARE INSTALLATION</b>	<b>5</b>
<b>USING PFM</b>	<b>6</b>
<b>USER INTERFACE</b>	<b>6</b>
<b>PFM SCREEN LAYOUT</b>	<b>6</b>
<b>COPYING OR DELETING SESSION FILES</b>	<b>7</b>
<b>INSTALLING PDS SOFTWARE</b>	<b>7</b>
<b>CHECKING FOR UPDATES</b>	<b>7</b>
<b>FLASH FILE RETRIEVAL</b>	<b>7</b>
<b>PFM TROUBLESHOOTING</b>	<b>8</b>
<b>FREQUENTLY ASKED QUESTIONS</b>	<b>9</b>

# Definitions, Acronyms, and Abbreviations

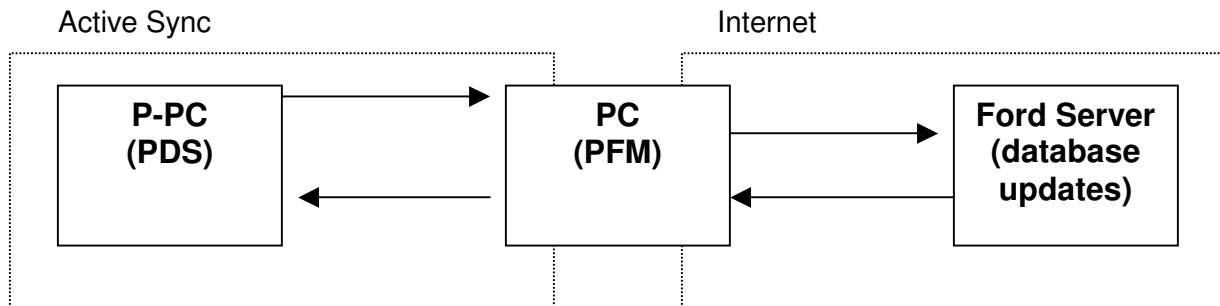
- CD Compact Disc
- PC Personal Computer
- P-PC Pocket-PC
- PDS Portable Diagnostic Software – Ford Motor Company software that runs on a Pocket PC
- PFM PDS File Manager – PC program used to update PDS



# Introduction

## Introduction to PFM

PDS File Manager (PFM) is a PC based program for supporting Ford Motor Company's Portable Diagnostic Software (PDS). The PFM retrieves calibration files and software updates for any PDS units sharing the PC walk up station. When using the Internet for software updates and calibration file retrieval, PFM is the "bridge" between the Pocket PC and the Internet.



Electronic versions of this manual and other manuals associated with this product are available from the **Help** menu of PFM.

## System Requirements

<b>Platforms</b>	<ul style="list-style-type: none"> <li>• Windows 98 (both First and Second Editions)</li> <li>• Windows 2000</li> <li>• Windows XP Home and XP Professional</li> </ul>
<b>Software</b>	<ul style="list-style-type: none"> <li>• Internet Explorer 5.5 or later</li> <li>• Adobe Acrobat 5.1 or later</li> <li>• Microsoft ActiveSync</li> </ul>
<b>Hardware</b>	<ul style="list-style-type: none"> <li>• 800 MB free on hard drive if calibration files are installed, 100 MB if not</li> <li>• Minimum 64 MB RAM</li> <li>• CPU: Pentium 233 MHz or faster</li> </ul>

## PFM Installation Options

PFM can be configured to support either software update option that you selected when purchasing the VCM (i.e. Internet or CD). For those who chose the CD delivery option, PFM can still be tailored to retrieve some or all of the information from the web. For example:

- Retrieve all updates and calibration files from the Internet
- Retrieve nothing from the Internet – no Internet access is available
- Store some calibration files on the PC hard drive, but use the Internet for updates or newly released calibration files.

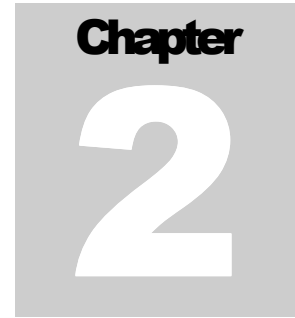
If the Internet is used as the primary method of file delivery, any files retrieved from the Internet will be stored on the PC hard drive for later use.

Note: Please choose the Internet options carefully, as they cannot be changed after installation unless a complete PFM uninstall and reinstall is performed.

## PFM Software Installation

1. Follow the P-PC Manufacturer's set up instructions before loading PDS.
2. Make sure your P-PC is fully charged and correctly synchronized with your PC via Active Sync.
3. Place the VCM CD into your PC's CD drive.
4. If Setup does not Auto Start, then double click on "launch.exe" in the CD root directory.
5. Choose **PDS & PFM** from the VCM Installation menu.
6. The setup program prompts for language, Internet connectivity, and identification information.
7. You will be prompted to install PDS on your P-PC. Be sure to wait for Active Sync to re-synchronize with your P-PC before loading PDS.


**CAUTION: Do not remove or use the P-PC until the installation is finished and the screen reads "INSTALLATION COMPLETE"**



## Using PFM

PFM's primary purpose is to deliver software/database updates and calibrations to PDS, on an as-needed basis. PFM also contains an interface to help users manage PDS files on their P-PC. (e.g. sessions, etc.)

### User Interface

PFM allows the user to view the current level of PDS software on their P-PC & PC, and initiate software updates as needed. PFM is normally left running in the background with the PDS icon visible in the taskbar (lower right corner of screen). Double clicking this icon will open PFM. 

Alternatively you can start PFM via the following menu selections:

**Start > Programs > Ford Motor Company > PFM > PFM**

### PFM Screen Layout

In addition to the menu bar at the top of the screen, the PFM interface is divided into three main sections. The left section contains a resource tree, which allows the user to select the information type. The upper right section displays the PC's versions. When a P-PC is connected to PFM, its device name and versions are shown in the lower right section.

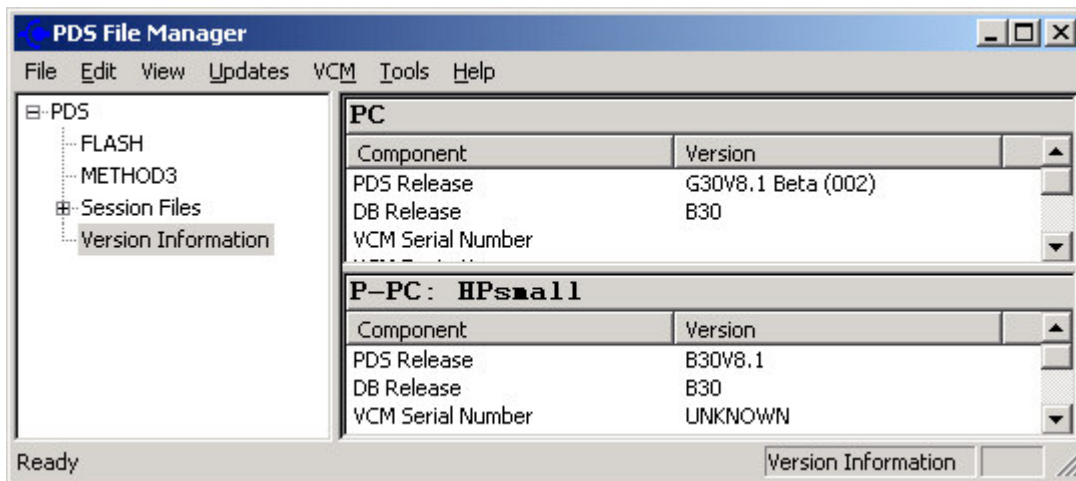


Figure 1: PDS File Manager screen

## Copying or Deleting Session Files

Selecting **Session Files** on the PDS resource tree displays any session files stored on the PC or P-PC, if connected. The mouse can be used in the PC and P-PC sections to select files for copying or deletion. Once files are highlighted, either the edit menu or a right-click menu can be used.

## Checking for Updates

The Internet can be used to check for updates via the following menu selections:

**Updates > PFM Updates > Check Internet for Updates**

A series of messages will prompt the user for updates to PFM, and possibly the currently docked P-PC. If the Internet is not available, this check will fail.

Expanding the tree on the left, and clicking on **Version Information** on the left will display the software and database versions on both the PC and P-PC. If the **PDS Release** and **DB Release** numbers are identical in both the PC & P-PC sections, then the P-PC is as up-to-date as the PC.

To refresh the PFM display at any time, click the following menus: **View > Refresh**

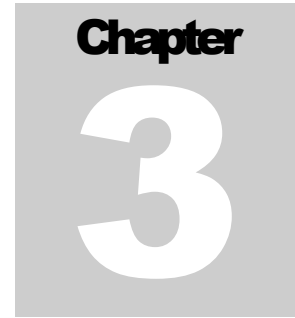
## Flash File Retrieval

PDS may not always have the necessary module calibration files on board when being used for module programming on a vehicle. In this situation, PDS will indicate to the user that he needs to dock his P-PC with a PC running PFM to retrieve the files.

When the P-PC is docked, PFM will automatically respond to the file request by searching the local hard drive, and then the Internet, if available. A message will display on the P-PC to indicate if the file retrieval was successful.

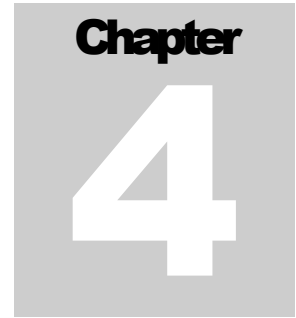
## Installing PDS Software

PFM can install PDS software to a P-PC. Choose **Updates > PDS Updates > Install Latest Version** from the menu.



## PFM Troubleshooting

Problem Symptoms	Corrective Actions
<ul style="list-style-type: none"> <li>• Double clicking the PFM icon does not open the PFM program.</li> </ul>	<ul style="list-style-type: none"> <li>• The PFM window may be opening behind another program window. Use the <b>Alt + Tab</b> keys to locate it, or minimize all windows.</li> </ul>
<ul style="list-style-type: none"> <li>• The <b>Updates</b> menu is unavailable (grayed out)</li> </ul>	<ul style="list-style-type: none"> <li>• When the program was installed, Internet connectivity was not chosen. Uninstall PFM, then reinstall with the appropriate Internet connectivity option.</li> </ul>
<ul style="list-style-type: none"> <li>• PFM processed a calibration update from the internet, but the database version displayed in PFM is unchanged.</li> </ul>	<ul style="list-style-type: none"> <li>• Choose <b>View &gt; Refresh</b> from the menu, then check the database version again.</li> </ul>
<ul style="list-style-type: none"> <li>• An <b>Accessing Network For PFM Updates</b> error pop-up screen appears, stating that the internet connection failed due to a blank public internet access ID.</li> </ul>	<ul style="list-style-type: none"> <li>• Go to <b>Tools &gt; Options &gt; Connections</b> and enter your network's public internet access ID and password. Try connecting to the Internet again.</li> </ul>



## Frequently Asked Questions

Question	Answer
<ul style="list-style-type: none"> <li>• Can I install PDS and PFM from a WDS PTU?</li> </ul>	<ul style="list-style-type: none"> <li>• No, WDS cannot support PFM.</li> </ul>
<ul style="list-style-type: none"> <li>• Can I use FordStar to receive updates?</li> </ul>	<ul style="list-style-type: none"> <li>• No. PFM was designed for public Internet access only.</li> </ul>
<ul style="list-style-type: none"> <li>• Will I receive the same updates via the internet that WDS receives?</li> </ul>	<ul style="list-style-type: none"> <li>• Yes, if the PFM PC is Internet connected, you may choose <b>Updates</b> from the PFM menu.</li> </ul>
<ul style="list-style-type: none"> <li>• How do I know what version of PDS software and Database I have?</li> </ul>	<ul style="list-style-type: none"> <li>• Dock the P-PC and expand the tree on the left side. Click on <b>Version Information</b>. The lower right section will display the software and database versions on the P-PC.</li> </ul>